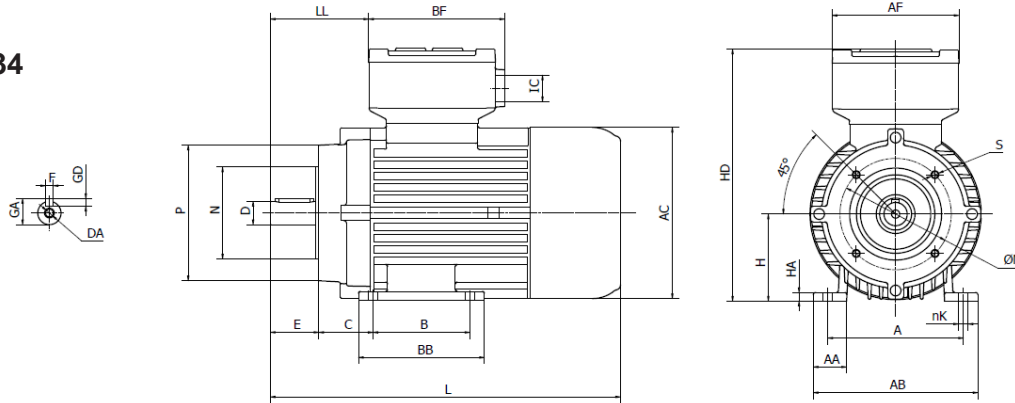
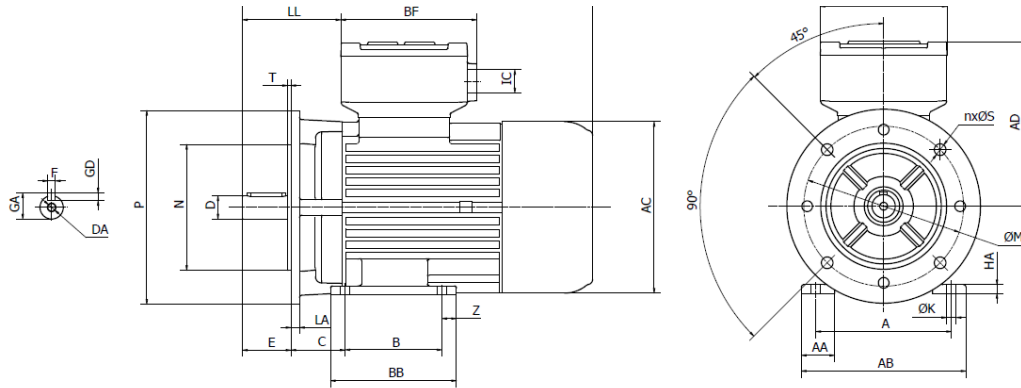


IM B34 & IM B35 Dimensions

IM B34



IM B35



B34 = Motor with feet and B14 Flange
B35 = Motor with feet and B5 Flange

IM B34 & IM B35 - MAK Series
All dimensions in mm

Frame	B34														B35																	
	A	AA	AB	AC	AD	AF	B	BB	BF	C	D	DA	E	F	GA	GD	L	LL	IC	K	M	N	p	S	T	LA						
56	90	23	105	110	120	91	71	90	104	36	9	M3	20	3	10.2	3	210	53	1xM20	6	65	50	80	M5	2.5	5.8	100	80	119	7	3	8
63	100	30	120	123	135	101	80	100	114	40	11	M4	23	4	12.5	4	244	68	1xM20	7	75	60	90	M5	2.5	7	115	95	140	10	3	8
71	112	32	140	139	144	101	90	110	114	45	14	M5	30	5	16.0	5	284	80	1xM20	7	85	70	105	M6	2.5	7	130	110	160	10	3.5	8
80	125	39	155	157	158	131	100	130	141	50	19	M6	40	6	21.5	6	323	85	1xM25	10	100	80	120	M6	3	10	165	130	200	12	3.5	9
90 S	140	34	170	177	166	131	100	130	141	56	24	M8	50	8	27.0	7	362	102	1xM25	10	115	95	140	M8	3	10	165	130	200	12	3.5	9
90 L	140	34	170	177	166	131	125	155	141	56	24	M8	50	8	27.0	7	382	102	1xM25	10	115	95	140	M8	3	10	165	130	200	12	3.5	9
100	160	45	196	196	185	131	140	170	141	63	28	M10	60	8	31.0	7	449	129	1xM25	12	130	110	160	M8	3.5	12	215	180	250	15	4	10
112M	190	48	224	221	206	151	140	170	163	70	28	M10	60	8	31.0	7	452	128	1xM32	12	130	110	160	M8	3.5	12	215	180	250	15	4	11
132S	216	60	260	260	223	151	140	180	163	89	38	M12	80	10	41.0	8	526	138	1xM32	*	*	*	*	*	*	12	265	230	300	15	4	12
132M	216	60	260	260	223	151	178	220	163	89	38	M12	80	10	41.0	8	566	138	1xM32	*	*	*	*	*	*	12	265	230	300	15	4	12
160M	254	75	306	317	263	201	210	260	219	108	42	M16	110	12	45.0	8	631	175	2xM32	*	*	*	*	*	*	15	300	250	350	19	5	14
160L	254	75	306	317	263	201	254	300	219	108	42	M16	110	12	45.0	8	671	175	2xM32	*	*	*	*	*	*	15	300	250	350	19	5	14
180M	279	83	341	348	302	201	241	303	215	121	48	M16	110	14	51.5	9	755	209	2xM32	*	*	*	*	*	*	15	300	250	350	19	5	15
180L	279	83	341	348	302	201	279	340	215	121	48	M16	110	14	51.5	9	795	209	2xM32	*	*	*	*	*	*	15	300	250	350	19	5	15
200L	318	93	380	385	366	262	305	370	286	133	55	M20	110	16	59.0	10	870	213	2xM50	*	*	*	*	*	*	18	350	300	400	19	5	18
225S	356	110	434	433	386	262	286	365	286	149	60	M20	140	18	64.0	11	917	248	2xM50	*	*	*	*	*	*	19	400	350	450	19	5	18
225M 2	356	110	434	433	386	262	311	390	286	149	55	M20	110	16	59.0	10	927	248	2xM50	*	*	*	*	*	*	19	400	350	450	19	5	18
225M 4-8	356	110	434	433	386	262	311	390	286	149	60	M20	140	18	64.0	11	957	248	2xM50	*	*	*	*	*	*	19	400	350	450	19	5	18
250M 2	406	122	486	480	411	262	349	425	286	168	60	M20	140	18	64.0	11	986	254	2xM50	*	*	*	*	*	*	24	500	450	550	19	5	18
250M 4-8	406	122	486	480	411	262	349	425	286	168	65	M20	140	18	69.0	11	986	254	2xM50	*	*	*	*	*	*	24	500	450	550	19	5	18

*For B14 flanges on frame sizes 132-160, please inquire with a Lafert N.A sales representative.

Note: B5 flanges for sizes 56 to 200 have 4 holes & for sizes 225 to 250 have 8 holes